

VXI/VMEpc™ 600 SERIES RAM UPGRADE

This guide describes how to install additional SO-DIMM memory into the VXI/VMEpc 600 Series module.

What You Need to Get Started

Use a 144-pin, 60 ns EDO SO-DIMM to upgrade the memory of your VXI/VMEpc 600 Series module. You do not need any additional parts or tools.

Installation Procedure



Caution *To prevent electrostatic discharge, touch the antistatic plastic package to a metal part of your mainframe before removing the SO-DIMM from the package.*

Use the following procedure to install additional RAM in your VXI/VMEpc 600 Series module:

1. Turn off the mainframe power.
2. Remove the VXI/VMEpc 600 Series module from the mainframe. To remove the module, loosen the front panel retaining screws and use the ejector handles to slide the module out of the mainframe.
3. Insert the SO-DIMM into an open SO-DIMM socket on the module at a 30° angle, as shown in Figure 1. Push the SO-DIMM down until it latches on both sides of the socket.
4. Reinstall the VXI/VMEpc 600 Series module in the mainframe.

The RAM installation is complete.

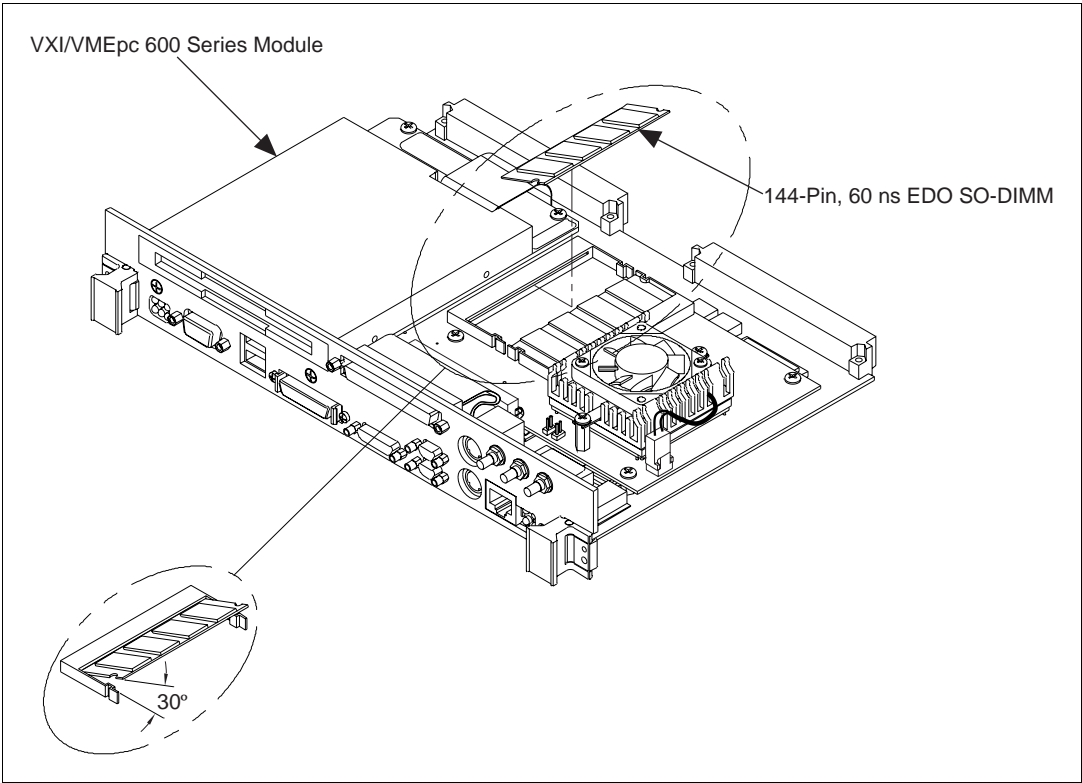


Figure 1. Installing an Additional Memory SO-DIMM into the VXI/VMEpc 600 Series Module

